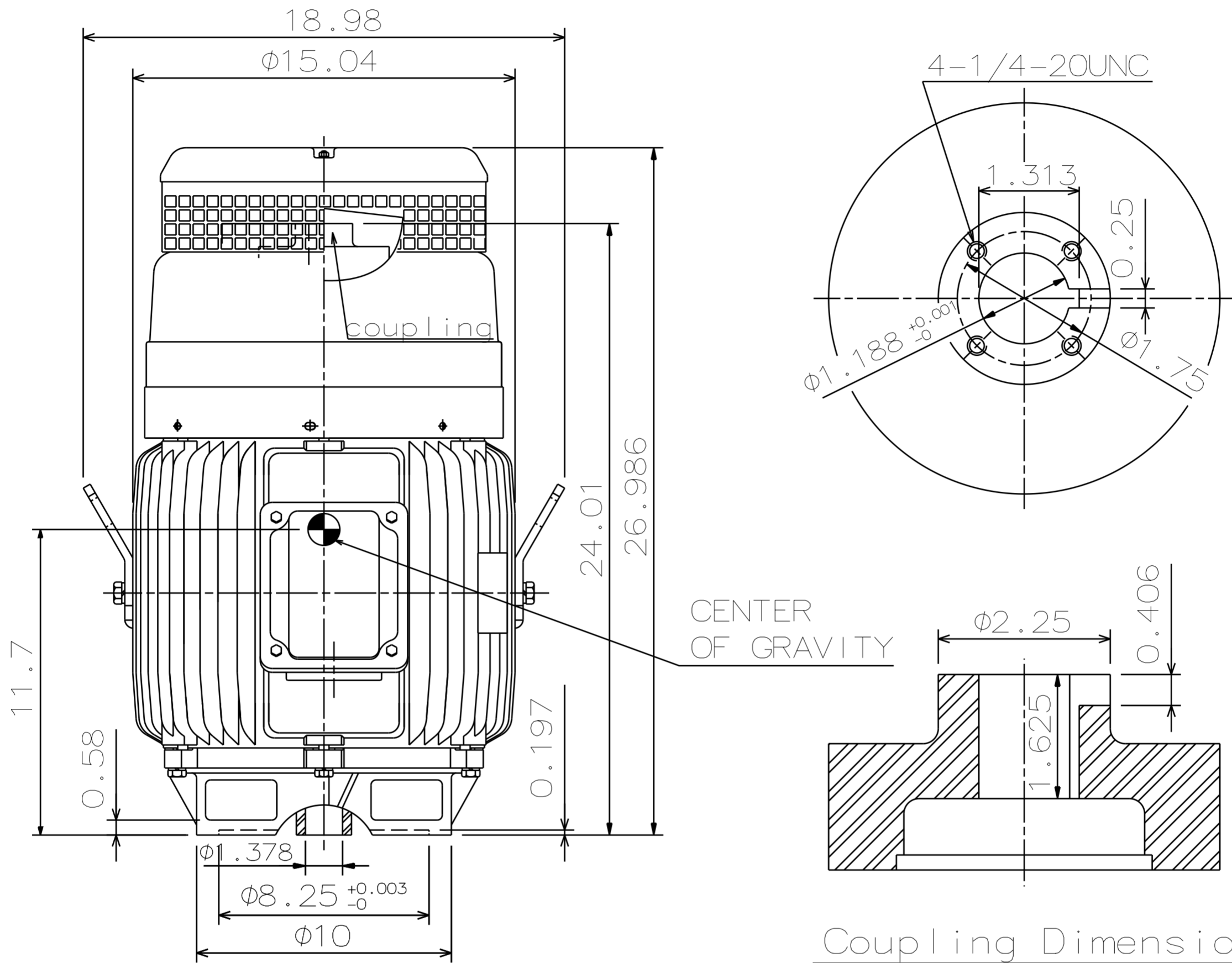


CATALOG NUMBER: VHTP0254	OUTLINE DIMENSIONS 3-PHASE INDUCTION MOTOR	MOTOR TYPE: AEEHNH
DATE OCT-03-2017		FRAME NO. 284TP

Pole	HP	kW	Hz	VOLT	r/min(rpm)
4	25	18.5	60	230/460	1800

Ins	Rating	Dimension in	Approx Weight	Bearings
F	CONT.	inches	520 LBS	DE: 6311ZC3 NDE: 7312BE

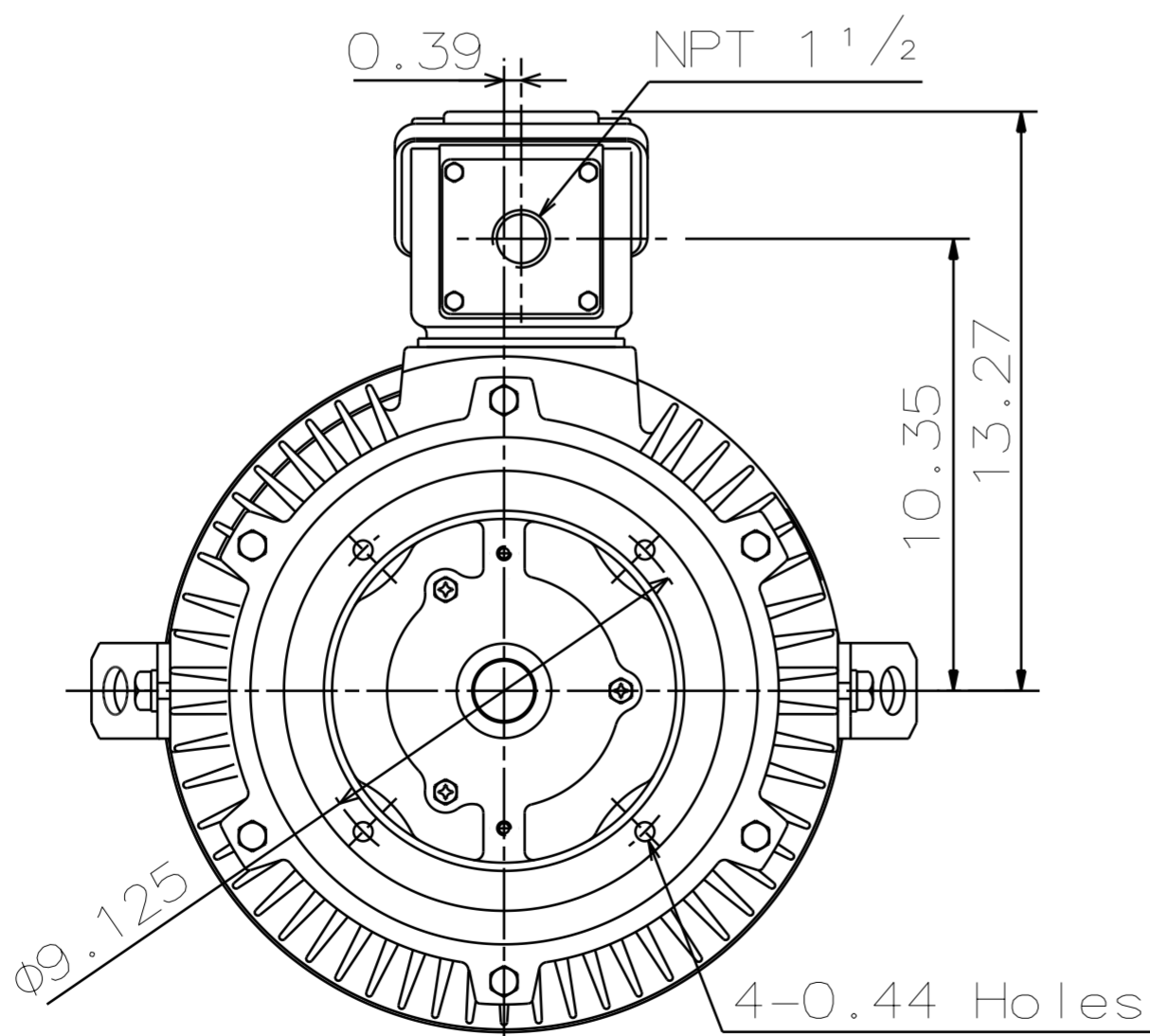
Totally Enclosed Fan-Cooled Vertical Type.Squirrel-cage Rotor.



Coupling Dimension

Note:

1. IP44 Protection.
2. Rotation:C.C.W.
(View from Top)
3. With Ball Type N.R.R.
4. Down Thrust:3350lbs.
(L10:8800 hours)
5. Space Heater Rated At
120 volts. Leads
Terminate In The Main
Lead Box.
6. Reed Critical
Frequency: 87.0 Hz.



E6173507T1

②	04.14.17	Fan Cover Dimension Change
---	----------	----------------------------

DWG.	12.21.16	TECO Westinghouse	DWG NO.
CHKD.	12.22.16		31057D368692
APPD.	12.22.16		